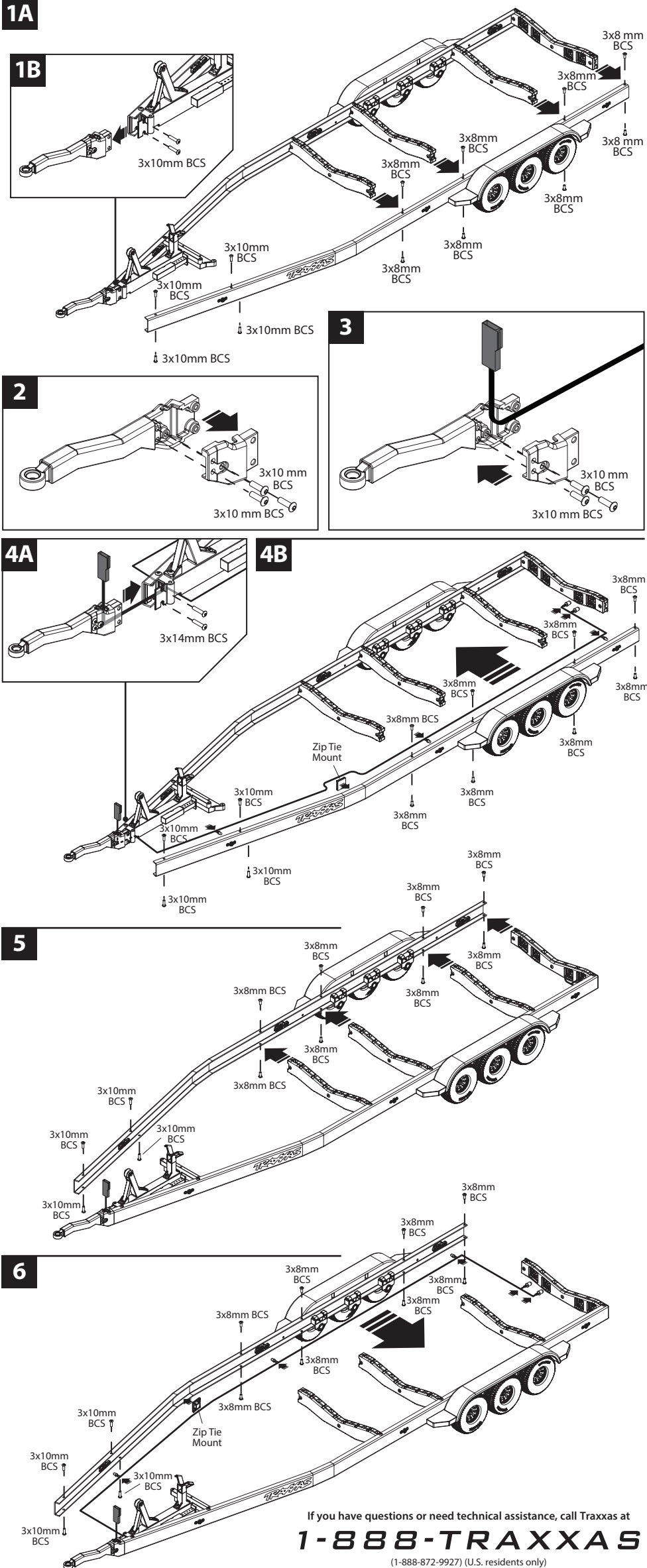




Boat Trailer LED Light Kit Installation Instructions

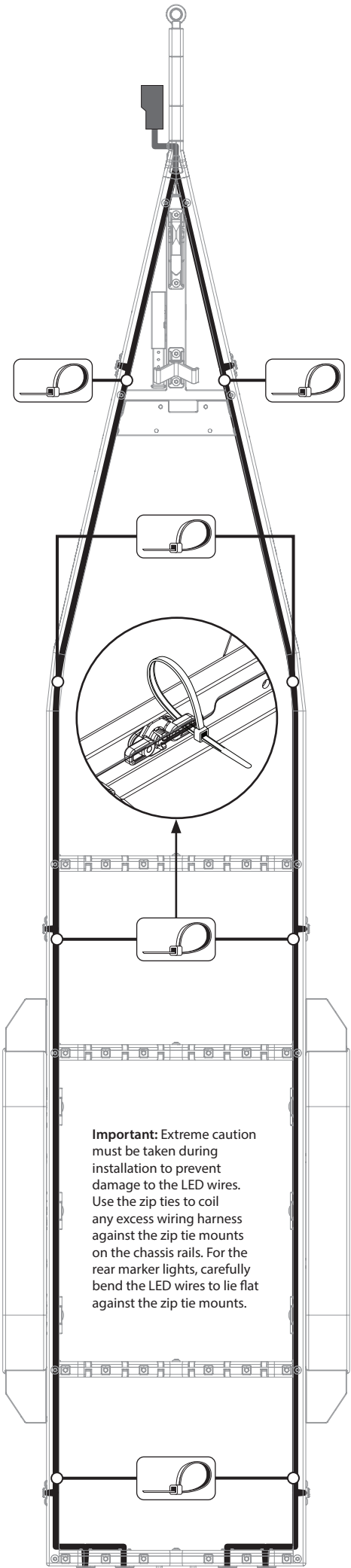
Covers Part #10349



- Kit contents:**
- LED light harness
 - Extension harness
 - Zip ties (8)
 - Zip tie mounts (2)

- Tools required:**
- 2.0 mm hex wrench

Trailer Lights Wiring Diagram



Important: Extreme caution must be taken during installation to prevent damage to the LED wires. Use the zip ties to coil any excess wiring harness against the zip tie mounts on the chassis rails. For the rear marker lights, carefully bend the LED wires to lie flat against the zip tie mounts.

If you have questions or need technical assistance, call Traxxas at
1-888-TRAXXAS
 (1-888-872-9927) (U.S. residents only)